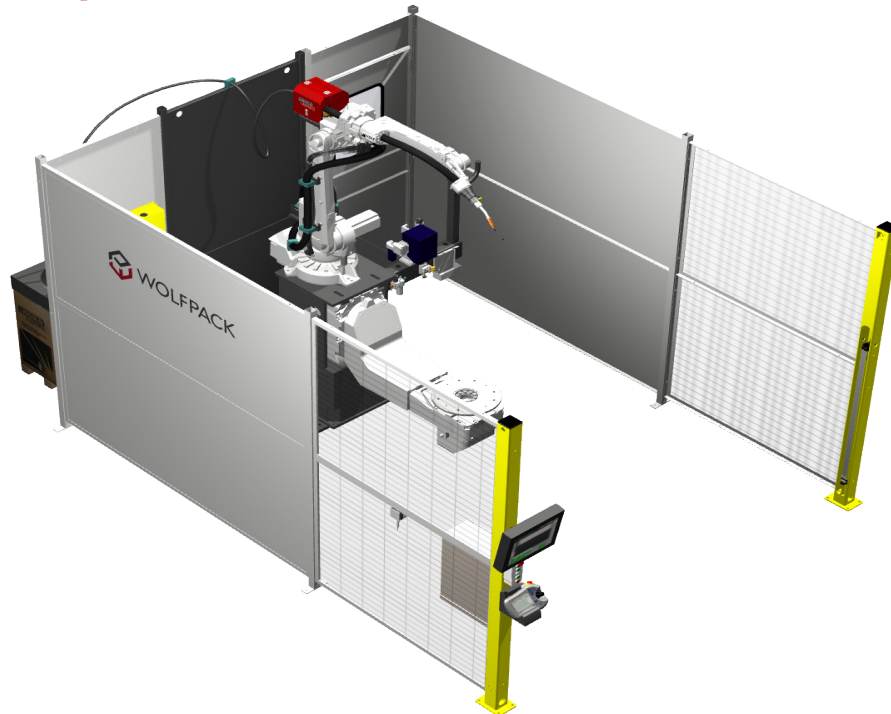


STANDARDIZED AUTOMATED WELDING SYSTEMS

The Optimum Production Solution

PRODUCT DATA: Skyhook - 250/500/700



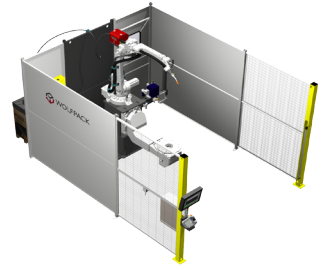
CUSTOMER ASSISTANCE POLICY

The Lincoln Electric Company is manufacturing and selling high quality welding equipment, consumables, and cutting equipment. Our challenge is to meet the needs of our customers and to exceed their expectations. On occasion, purchasers may ask Lincoln Electric for information or advice about their use of our products. Our employees respond to inquiries to the best of their ability based on information provided to them by the customers and the knowledge they may have concerning the application. Our employees, however, are not in a position to verify the information provided or to evaluate the engineering requirements for the particular weldment. Accordingly, Lincoln Electric does not warrant or guarantee or assume any liability with respect to such information or advice. Moreover, the provision of such information or advice does not create, expand, or alter any warranty on our products. Any express or implied warranty that might arise from the information or advice, including any implied warranty of merchantability or any warranty of fitness for any customers' particular purpose is specifically disclaimed.

Lincoln Electric is a responsive manufacturer, but the selection and use of specific products sold by Lincoln Electric is solely within the control of, and remains the sole responsibility of the customer.

Many variables beyond the control of Lincoln Electric affect the results obtained in applying these types of fabrication methods and service requirements.

Subject to Change – This information is accurate to the best of our knowledge at the time of printing. Please refer to www.wolfrobotics.com for any updated information.



The Optimum Production Solution

WolfPack is a standardized arc welding solution delivered ready-to-weld from Wolf Robotics. WolfPack systems are a cost-effective way to automate your fabrication operations by improving productivity, efficiency, and profitability.

Wolf Robotics has introduced a full line of standardized cells. With a variety of positioners, robots, and peripherals available, WolfPack can meet your specific production needs.

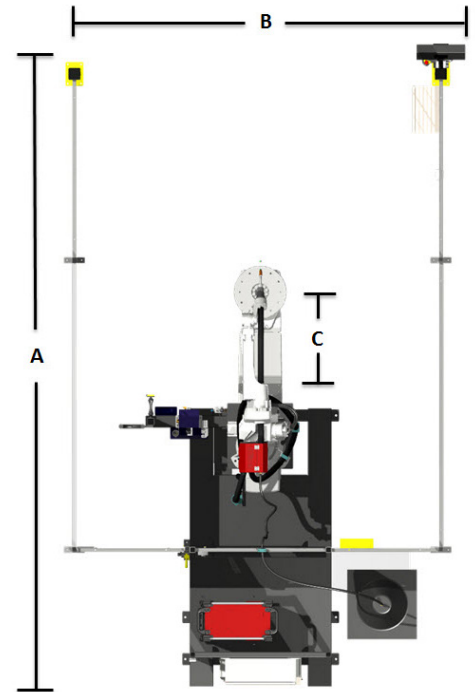
WolfPack systems are equipped with features that optimize productivity and minimize downtime. Advanced error handling, production monitoring, and self diagnostics are just a few of the ways WolfPack systems ensure increased efficiency and production quality.

Standard Specifications	
Robot Arm	IRB 1600 Robot (Optional IRB 2600 ID)
Weld Torch	Wolf® Air-cooled welding torch
Torch Maintenance	Wolf BullsEye Calibration, Binzel® torch cleaner
Power Supply	Lincoln® Power Wave®
Safety	Cable management
Programming	Integrated error handling
Optional Equipment	Stack light, Welders, Fume hood, WolfTrack seam tracking, WolfCell Control, Services Packages, Instillation
Training Classes	Cell Operation, IRC5 Basic Rapid Programming, IRC5 Advanced Rapid Programming, IRC5 Basic RobotStudio, Wolf Advanced Electrical, Custom specific classes available upon request

Cell Dimensions				
	Unit	250	500	750
A	mm	5522	5522	5522
B	mm	3302	3302	3302
C	mm	500	725	725
Max Part Length: 1500mm Max Part Diameter: 1450mm				

Benefits

- Short delivery and set-up times
- Low investment
- Less downtime with improved error handling
- Improved safety features
- Portability
- Small footprint
- High quality production through production monitoring and self-diagnostics
- Offline programming and tooling design capabilities
- Assorted positioners and capacities
- Robot CMM capabilities



Wolf Robotics
A Lincoln Electric Company

4600 Innovation Drive
Fort Collins, CO 80525

+1 866-WOLF-789
+1 970-225-7600
+1 970-225-7700

TOLL FREE
PHONE
FAX



CERTIFIED
Robot Integrator

LINCOLN
ELECTRIC

wolfrobotics.com
wolf.info@wolfrobotics.com

All trademarks and registered trademarks are the property of their respective owners.

© Wolf Robotics, A Lincoln Electric Company. All Rights Reserved