

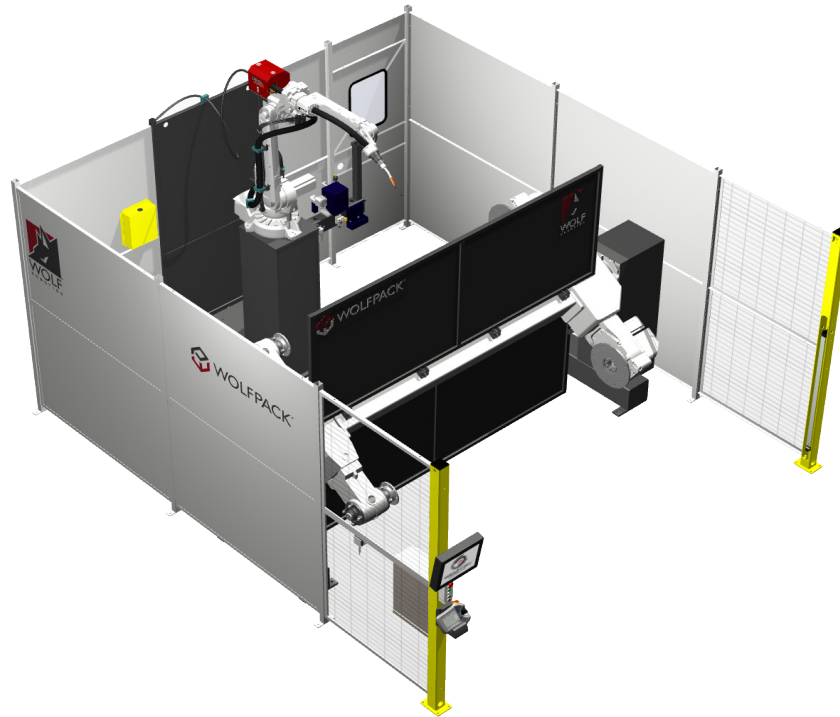


# WOLF<sup>®</sup> ROBOTICS

A Lincoln Electric Company

## STANDARDIZED AUTOMATED WELDING SYSTEMS

### *The Optimum Production Solution*



## PRODUCT DATA: **FerrisWheel - 300/600/1000**

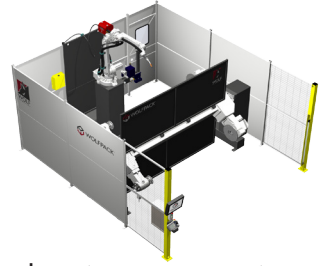
### CUSTOMER ASSISTANCE POLICY

The Lincoln Electric Company is manufacturing and selling high quality welding equipment, consumables, and cutting equipment. Our challenge is to meet the needs of our customers and to exceed their expectations. On occasion, purchasers may ask Lincoln Electric for information or advice about their use of our products. Our employees respond to inquiries to the best of their ability based on information provided to them by the customers and the knowledge they may have concerning the application. Our employees, however, are not in a position to verify the information provided or to evaluate the engineering requirements for the particular weldment. Accordingly, Lincoln Electric does not warrant or guarantee or assume any liability with respect to such information or advice. Moreover, the provision of such information or advice does not create, expand, or alter any warranty on our products. Any express or implied warranty that might arise from the information or advice, including any implied warranty of merchantability or any warranty of fitness for any customers' particular purpose is specifically disclaimed.

Lincoln Electric is a responsive manufacturer, but the selection and use of specific products sold by Lincoln Electric is solely within the control of, and remains the sole responsibility of the customer.

Many variables beyond the control of Lincoln Electric affect the results obtained in applying these types of fabrication methods and service requirements.

Subject to Change – This information is accurate to the best of our knowledge at the time of printing. Please refer to [www.wolfrobotics.com](http://www.wolfrobotics.com) for any updated information.



## The Optimum Production Solution

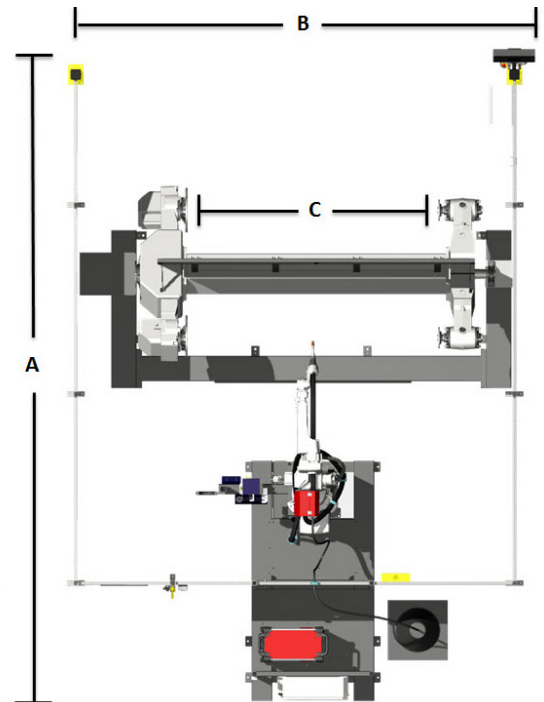
WolfPack is a standardized arc welding solution delivered ready-to-weld from Wolf Robotics. WolfPack systems are a cost-effective way to automate your fabrication operations by improving productivity, efficiency, and profitability.

Wolf Robotics has introduced a full line of standardized cells. With a variety of positioners, robots, and peripherals available, WolfPack can meet your specific production needs.

WolfPack systems are equipped with features that optimize productivity and minimize downtime. Advanced error handling, production monitoring, and self diagnostics are just a few of the ways WolfPack systems ensure increased efficiency and production quality.

Standard Specifications	
Robot Arm	IRB 1600 Robot (Optional IRB 2600 ID)
Weld Torch	Wolf <sup>®</sup> Air-cooled welding torch
Torch Calibration	Wolf BullsEye
Power Supply	Lincoln <sup>®</sup> Power Wave <sup>®</sup>
Safety	Cable management
Programming	Integrated error handling
Optional Equipment	Stack light, Welders, Fume hood, WolfTrack seam tracking, WolfCell Control, Services Packages, Installation
Training Classes	Cell Operation, IRC5 Basic Rapid Programming, IRC5 Advanced Rapid Programming, IRC5 Basic RobotStudio, Wolf Advanced Electrical, Custom specific classes available upon request

Cell Dimensions				
	Unit	300	600	1000
<b>A</b>	mm	6487	6487	6487
<b>B</b>	mm	3606	4521	4521
<b>C</b>	mm	2000	2000	2500
Max Part Length: 2500mm				
Max Part Diameter: 1400mm				



## Benefits

- Short delivery and set-up times
- Low investment
- Less downtime with improved error handling
- Improved safety features
- Portability
- Small footprint
- High quality production through production monitoring and self-diagnostics
- Offline programming and tooling design capabilities
- Assorted positioners and capacities
- Robot CMM capabilities

Wolf Robotics  
A Lincoln Electric Company

4600 Innovation Drive  
Fort Collins, CO 80525

+1 866-WOLF-789  
+1 970-225-7600  
+1 970-225-7700

TOLL FREE  
PHONE  
FAX



**CERTIFIED**  
Robot Integrator

wolfrobotics.com  
wolf.info@wolfrobotics.com



All trademarks and registered trademarks are the property of their respective owners.

© Wolf Robotics, A Lincoln Electric Company. All Rights Reserved